

**Canopy**  
**Touch 90 cm**  
**White**

EAN 5414425008971



### Energy label

▪ Energy Efficiency class (EEIhood)	D
▪ Annual Energy Consumption (kWh/year) (AEChood)	83,7
▪ Fluid Dynamic Efficiency class (FDEhood)	C
▪ Lighting Efficiency class (LEhood)	E
▪ Grease Filtering Efficiency class (GFEhood)	B

### Functions & features

▪ Control method	Touch control + Remote control
▪ Number of speeds	3 + power
▪ Automatic Power revert (minutes)	6
▪ Motor	Integrated
▪ Sound absorber	Integrated
▪ Recirculation	Optional
▪ InTouch function	Standard
▪ Auto stop	▪
▪ Delayed switch off (minutes)	10
▪ Number of grease filters	1
▪ Grease filter	894020
▪ Grease filter cleaning indication	▪
▪ Recirculation filter cleaning indication	▪

### Dimensions

▪ Product dimensions (WxDxH) (mm)	860 x 301 x 331
▪ Width flange (mm)	10
▪ Dimensions cut-out opening (WxD) (mm)	845 x 286
▪ Min dimensions cabinet (WxDxH) (mm)	x x
▪ Advised mounting height induction hobs (Hmin-Hmax) (mm)	-
▪ Advised mounting height gas hobs (Hmin-Hmax) (mm)	650 - 750
▪ Advised mounting height ceramic hobs (Hmin-Hmax) (mm)	600 - 750
▪ Diameter outlet (mm)	125
▪ Position exhaust	Right, Top, Left, Back, Front

### Lighting

▪ Functional lighting type	TL 8
▪ Dimmable light	-
▪ Soft-ON/OFF	-
▪ Total energy consumption functional light (W)	50

### Airflow and noise level

▪ Airflow (m <sup>3</sup> /h) measured according to EN 61591	
▪ Sound regulation according to EN 60704-2-13	
▪ Airflow speed 1 (m <sup>3</sup> /h) / Max Pressure speed 1 (Pa)	166 / 133

## Airflow and noise level

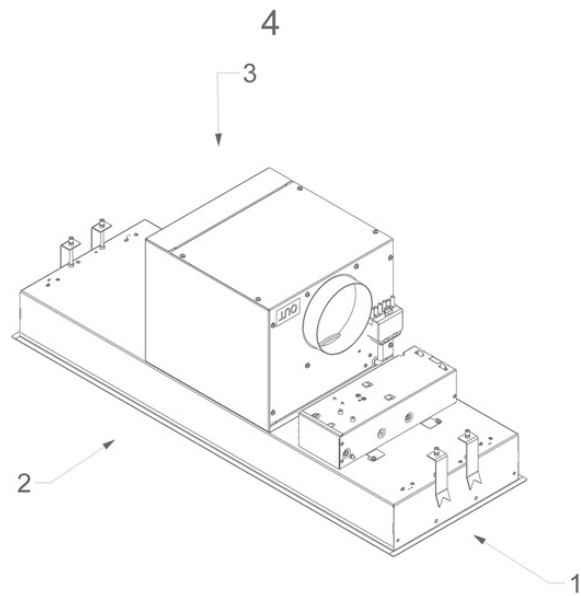
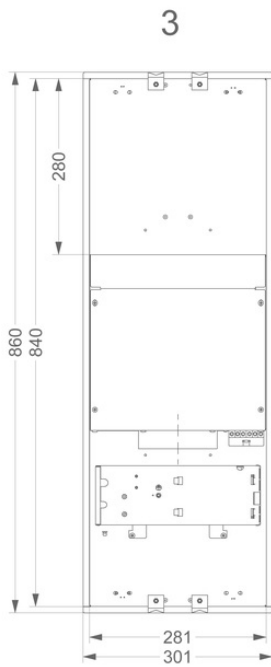
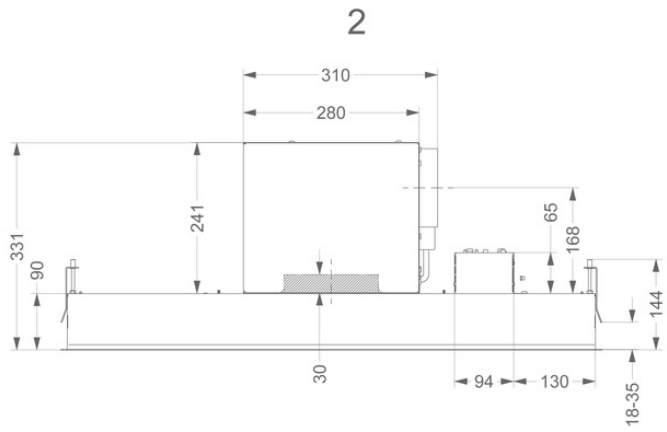
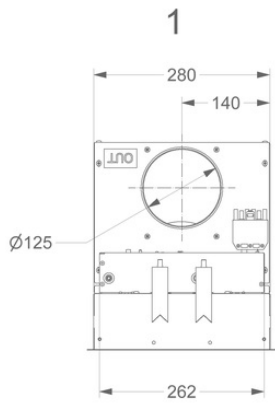
---

▪ Airflow speed 2 (m <sup>3</sup> /h) / Max Pressure speed 2 (Pa)	253 / 265
▪ Airflow speed 3 (m <sup>3</sup> /h) / Max Pressure speed 3 (Pa)	346 / 353
▪ Airflow Powerspeed (m <sup>3</sup> /h) / Max Pressure Powerspeed (Pa)	412 / 389
▪ Sound power speed 1 (dB(A)) / Sound pressure speed 1 (dB(A))	37 / 23
▪ Sound power speed 2 (dB(A)) / Sound pressure speed 2 (dB(A))	44 / 30
▪ Sound power speed 3 (dB(A)) / Sound pressure speed 3 (dB(A))	50 / 36
▪ Sound Powerspeed (dB(A)) / Sound pressure Powerspeed (dB(A))	54 / 40

## Technical specifications

---

▪ Maximum power	165
▪ Voltage (V)	220-230
▪ Frequency (Hz)	50
▪ Length power supply cord (m)	1,3
▪ Power consumption in stand-by-mode (Ps) (W)	0.29



## Installation accessories

---

### Dissociated motor

- 800995

Kit to place motor at distance for canopy Touch

### Extension cable

- 7000092

Extension cable 5 m

## Accessories

---

### Recirculation kit



894400

Monoblock recirculation set Touch (388X122x30mm)

### Recirculation box



841400

recirculation box with monoblock white (270x500mm)



842400

recirculation box with monoblock black (270x500mm)



843400

recirculation box with monoblock grey (270x500mm)

### Control kit



990030

Control kit for external lighting or valve

Efficiency Curve

